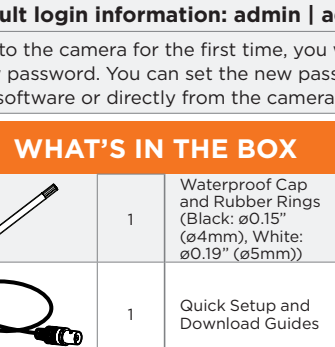


MEGAPIX Ai™

Next-generation video analytics

DWC-XSBE05Li	5-50mm long-range vari-focal lens, Ai engine
DWC-XSBE05LiF	5-50mm long-range vari-focal lens, Ai engine, face recognition
DWC-XSBE05LiL	5-50mm long-range vari-focal lens, Ai engine, ANPR
DWC-XSBE05LiM	5-50mm long-range vari-focal lens, Ai engine, MMCR
DWC-XSBE05Mi	2.7-13.5mm long-range vari-focal lens, Ai engine
DWC-XSBE05MiF	2.7-13.5mm long-range vari-focal lens, Ai engine, face recognition
DWC-XSBE05MiL	2.7-13.5mm long-range vari-focal lens, Ai engine, ANPR
DWC-XSBE05MiM	2.7-13.5mm long-range vari-focal lens, Ai engine, MMCR



Default login information: admin | admin

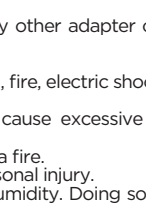
When logging into the camera for the first time, you will be prompted to set up a new password. You can set the new password using the DW® IP Finder™ software or directly from the camera's browser menu.

WHAT'S IN THE BOX

Star Wrench (T-20)		1	Waterproof Cap and Rubber Rings (Black: ø0.15" (ø4mm), White: ø0.19" (ø5mm))		1
Test Monitor Cable		1	Quick Setup and Download Guides		1 set
Screws and Plastic Anchors - 3pcs		1 set	Moisture Absorber and Installation Guide (Recommended)		1
Mounting Template		1			1 set

NOTE: Download all your support materials and tools in one place

- Go to: <http://www.digital-watchdog.com/resources>
- Search your product by entering the part number in the 'Search by Product' search bar. Results for applicable part numbers will populate automatically based on the part number you enter.
- Click 'Search'. All supported materials, including manuals and quick start guide (QSGs) will appear in the results.



Attention: This document is intended to serve as a quick reference for the initial set-up. It is recommended that the user read the entire instruction manual for complete and proper installation and usage.

SAFETY AND WARNING INFORMATION

Read through this Installation Guide carefully before installing the product. Keep the Installation Guide for future reference. See the user manual for more information on the proper installation, use and care of the product. These instructions are intended to ensure that users can use the product correctly to avoid danger or property loss. Warnings: Serious injury or death may occur if any of the warnings are neglected. Cautions: Injury or equipment damage may occur if any of the cautions are neglected.

WARNING

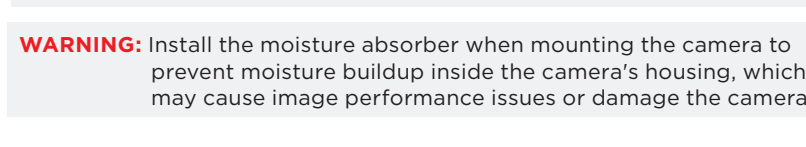
- In the use of the product, you must be strict compliance with the electrical safety regulations of the nation and region. When the product is mounted on a wall or ceiling, the device shall be firmly fixed.
- Be sure to use only the standard adapter specified in the specification sheet. Using any other adapter could cause fire, electrical shock, or damage to the product.
- Make sure the power supply voltage is correct before using the camera.
- Incorrectly connecting the power supply or replacing the battery may cause an explosion, fire, electric shock, or damage to the product.
- Do not connect multiple cameras to a single adapter. Exceeding the capacity may cause excessive heat generation or fire.
- Securely plug the power cord into the power source. An insecure connection may cause a fire.
- When installing the camera, fasten it securely and firmly. A falling camera may cause personal injury.
- Do not install in a location subject to elevated temperature, low temperature, or high humidity. Doing so may cause fire or electric shock.
- Do not place conductive objects (e.g. screwdrivers, coins, metal items, etc.) or containers filled with water on top of the camera. Doing so may cause personal injury due to fire, electric shock, or falling objects.
- Do not install in humid, dusty, or sooty locations. Doing so may cause fire or electric shock.
- Do not install near any heat sources such as radiators, heat registers, or other products (including amplifiers) that produce heat.
- Keep out of direct sunlight and heat radiation sources. It may cause a fire.
- If any unusual smells or smoke come from the unit, stop using the product at once. Immediately disconnect the power source and contact the service center. Continued use in such a condition may cause fire or electric shock.
- If this product does not operate normally, contact the nearest service center. Never disassemble or change this product in any way.
- When cleaning the product, do not spray water directly onto parts of the product. Doing so may cause fire or electric shock.

CAUTION

- Use proper safety gear when installing and wiring the product.
- Do not drop objects on the product or apply strong shock to it. Keep away from a location subject to excessive vibration or magnetic interference.
- Do not use this product near water.
- The product shall not be exposed to dripping or splashing and no objects filled with liquids, such as vases, shall be placed on the product.
- Avoid aiming the camera directly towards extremely bright objects such as the sun, as this may damage the image sensor.
- The Main plug is used as a disconnect outlet and shall stay readily operable at any time.
- Remove the power adapter from the device when there is lightning. Neglecting to do so may cause fire or damage to the product.
- Do not block any ventilation openings. Install following the manufacturer's instructions.
- A polarized or grounding-type plug is recommended for this product. A polarized plug has two blades with one wider than the other. A grounding-type plug has two blades and a third grounding prong. If the provided plug does not fit into your outlet, consult an electrician for replacement.
- Protect the power cord from being walked on or pinched particularly at plugs, convenience receptacles, and the point where they exit from the product.
- If any laser equipment is used near the product, make sure the surface of the sensor is not exposed to the laser beam as that may damage the sensor module.
- If you want to move the already installed product, be sure to turn off the power and then move or reinstall it.
- Proper configuration of all passwords and other security settings is the responsibility of the installer and/or end-user.
- If cleaning is necessary, please use a clean cloth to wipe it gently. If the device will not be used for a long time, please cover the lens cap to protect the device from dirt.
- Do not touch the camera's lens or sensor module with fingers. If cleaning is necessary, please use a clean cloth to wipe it gently. If the device will not be used for a long time, please cover the lens cap to protect the device from dirt.
- Use only attachments/accessories specified by the manufacturer.
- Always use hardware (e.g. screws, anchors, bolts, locking nuts, etc.) compatible with the mounting surface and of sufficient length and construction to ensure a secure mount.
- Use only with cart, stand, tripod, bracket, or table specified by the manufacturer, or sold with the product.
- Unplug this product when a cart is used. Use caution when moving the cart/product combination to avoid injury from tip-over.
- Refer all servicing to qualified service personnel. Servicing is needed when the product has been damaged in any way, such as power supply cord or plug is damaged, liquid has been spilled or objects have fallen into the product, the product has been exposed to rain or moisture, does not operate normally, or has been dropped.

STEP 1 - PREPARING TO MOUNT THE CAMERA

- Remove the moisture absorber packet from the camera's control panel. Use the star wrench included with the camera to open the control panel.
- Install the new moisture packet in the camera's control panel.
 - Remove the moisture absorber packet from the packaging.
 - Place the moisture absorber packet under the camera's SD card slot.



NOTE: The camera will generate enough heat to dry moisture during normal operation. In cases where the camera experiences a moisture issue, keep the moisture absorber in the camera.

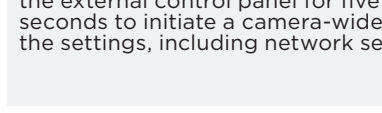
WARNING: Install the moisture absorber when mounting the camera to prevent moisture buildup inside the camera's housing, which may cause image performance issues or damage the camera.

- Using the mounting template or the camera itself, mark and drill the necessary holes in the wall or ceiling.

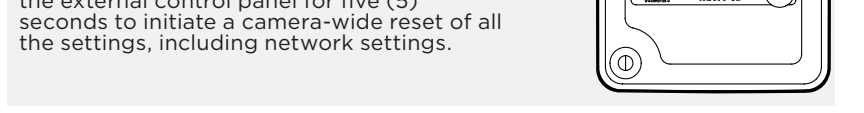
STEP 2 - POWERING THE CAMERA

Pass the wires through and make all necessary connections.

Use a PoE Injector (required. Sold separately) to connect data and power to the camera using a single Ethernet cable.



Use a non-PoE Switch to connect data using an Ethernet cable and use a power adapter to power the camera.



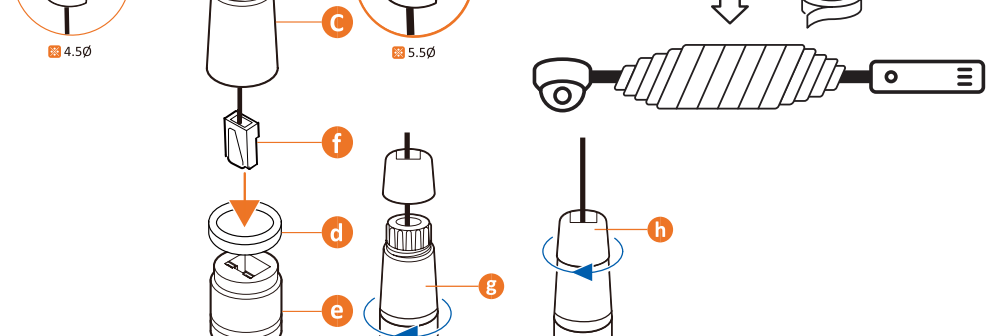
Power information	
Power requirements	DC12V, PoE IEEE 802.3af Class 3 (Adapter not included)
Power consumption	12V DC: 8.8W, 733.3mA, PoE: 11.1W, 231.25mA
Maximum cable distance	328' (100m)
Connector	RJ45

Resetting the camera: With the camera powered ON, hold press the reset button on the external control panel for five (5) seconds to initiate a camera-wide reset of all the settings, including network settings.



WATERPROOF CAP INSTALLATION

The waterproof cap set comes with two rubber rings. Use the rubber ring best sized for your network cable's diameter.



NOTE: Cables with ø4.5mm to ø5.5mm thickness should use the black rubber ring. Cables over ø5.5mm in thickness should use the white rubber ring.

NOTE: To ensure moisture seal, make sure the o-ring is in place between c and e. In extreme environments use of an outdoor rated sealer is recommended.

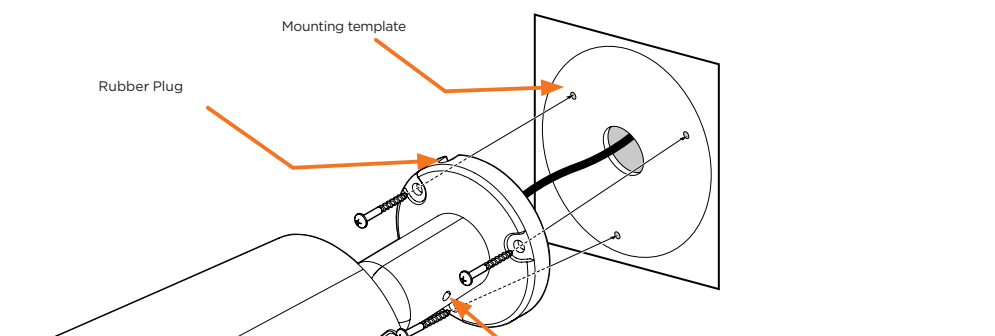
STEP 3 - INSTALLING THE CAMERA

- Mount the camera to the mounting surface and secure using the screws and anchors included.

NOTE: Remove the rubber plug on the side of the camera's base and use the gap as a cable guide to prevent cables from getting caught between the camera and the mounting surface.

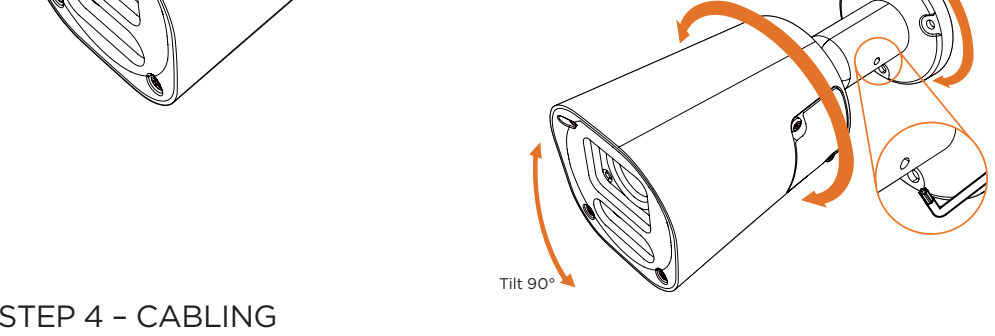
NOTE: When setting up the camera for the first time, use the CALIBRATE button on the camera's web GUI to auto-calibrate the camera's lens before operation.

- Loosen the pan and tilt screws at the base of the camera's bracket to adjust the camera's view and position.
- Remove the protective film from the lens cover. Softly wipe the dome/lens cover with lens tissue or a microfiber cloth with ethanol to remove any dust or smudges left from the installation process.



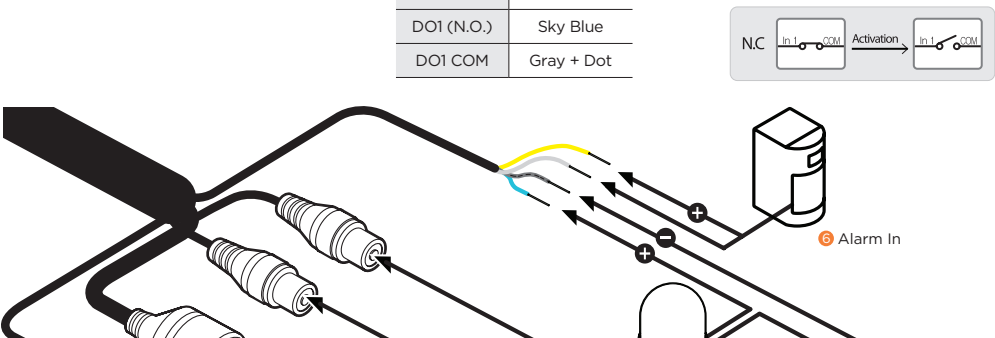
STEP 4 - CABLING

Use the diagram below to connect power, network and external devices such as audio input and output, alarm and sensors to the camera.



STEP 5 - MANAGING THE SD CARD (OPTIONAL)

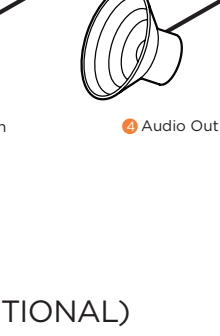
- Locate the SD card slot in the external control panel on the side of the camera.
- Insert a class 10 SD/SDHC/SDXC card into the SD card slot by pressing the SD card until it clicks.
- Press the card inward until it clicks to release from the card slot, then pull it out from the slot.



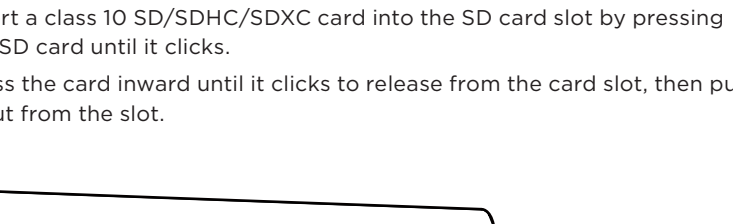
NOTE: Maximum SD Card size supported: Up to 1TB micro SD / FAT32. When inserting the SD card into the card slot, the SD card's contacts should be facing upward, as shown in the diagram.

STEP 6 - DW® IP FINDER™

- Download and install the DW IP Finder from the DW website at: <http://www.digital-watchdog.com>
- Open the DW IP Finder and click 'Scan Devices' to find the camera on the network.
- A password must be set when connecting to the camera for the first time.
 - Check the box next to the camera.
 - Click 'Bulk Admin Assign' on the left.
 - Enter admin/admin for the current username and password. Enter a new username and password to the right. Password must have at least eight (8) characters and at least four (4) combinations of uppercase and lowercase letters, numbers and special characters. Passwords cannot contain the user ID.
 - Click "change" to apply all changes.



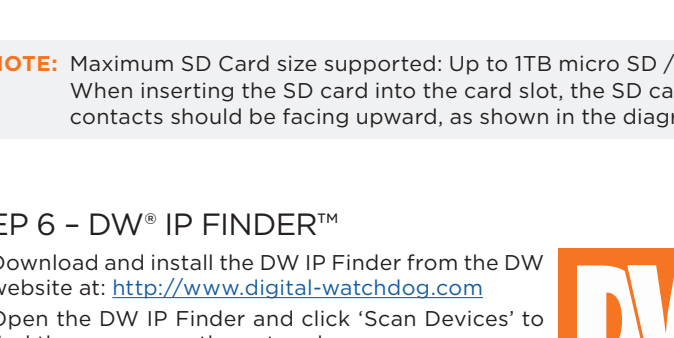
STEP 7 - WEB VIEWER



The GUI display may differ by camera models.

- Find the camera using the DW IP Finder.
- Double-click on the camera's view in the results table.
- Press the 'View Camera Website'.
- Enter the camera's username and password you setup in the DW IP Finder.

If you did not setup a new username and password, a message will direct you to setup a new password for the camera to view the video.



NOTE: Please see the full product manual for web viewer setup, functions and camera settings options.

NOTE: This products is covered by one or more claims of the HEVC Patents listed at patentlist.accessdata.com.

